

PL Series LED Panel

CCT-120-30120-30W
30120 LED Panel Light

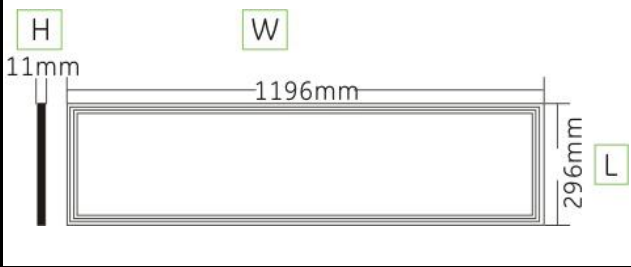


Products Description

General	CCT	6000K	4000K	3000K
	Lumen Output(lm)±5%	3744	4428	3528
	Lumen Efficacy(LPS)±5%	104	123	98
	LED Type/Qt'y	SMD 2835 / 216pcs(WW-108PCS;CW-108PCS)		
	CRI/SDCM	>80/<6		
Electrical	Rated Power(w)±5%	36		
	Rated/Actual Input	100~277Vac 50/60Hz		
	Driver Output Data	25-38Vdc / 36W		
	Driver/Connection	Removable Driver / PIP		
	Power Factor/THD/PE	>90%/<15%/88%		
	Hi-pot Test Range	SELV Isolated Driver, 3750Vdc/5mA/60S		
Life	Warranty	3years		
	Life Hours L90/L80	30,000 hrs/50,000hrs		
	LM80	90% lumen maintance @ 6,000hrs		
Others	Frame Color RAL	white		
	IP/IK/Glow-wire	IP20/IK03/650°C		
	Temp./Humidity	Working:-30°C~40°C Storage:<60°C/<75%		
	Net/Gross Weight	4.05kg /4.45kg		

Products Dimens

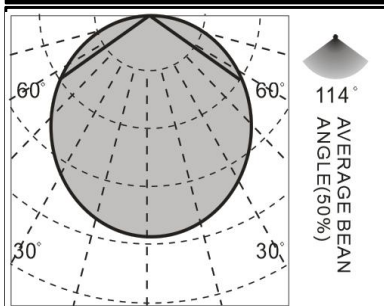
Certification:



Panel: L=1214mm W=300mm H=60mm



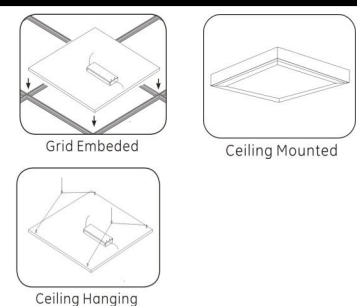
AVERAGE AND CENTER E Figure



AVERAGE AND CENTER E Figure

1.0 m	1500.01 lx	2.88 m
1.5 m	666.67 lx	4.35 m
2.0 m	375.00 lx	5.80 m
2.5 m	240.01 lx	7.28 m
3.0 m	166.67 lx	8.75 m
High	illuminance	Diameter

Installation



PL Series LED Panel

CCT-110-30120-36W
30120 LED Panel Light

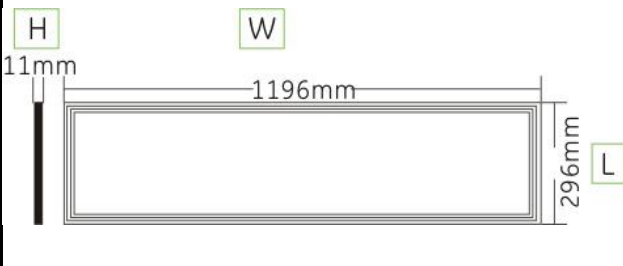


Products Description

General	CCT	6000K	4000K	3000K
	Lumen Output(lm)±5%	3348	3930	3168
	Lumen Efficacy(LPS)±5%	93	110	88
	LED Type/Qt'y	SMD 2835 / 216pcs(WW-108PCS;CW-108PCS)		
	CRI/SDCM	>80/<6		
Electrical	Rated Power(w)±5%	36		
	Rated/Actual Input	100~277Vac 50/60Hz		
	Driver Output Data	25-38Vdc / 32.4W		
	Driver/Connection	Removable Driver / PIP		
	Power Factor/THD/PE	>90%/<15%/88%		
	Hi-pot Test Range	SELV Isolated Driver, 3750Vdc/5mA/60S		
Life	Warranty	3 years		
	Life Hours L90/L80	30,000 hrs/50,000hrs		
	LM80	90% lumen maintance @ 6,000hrs		
Others	Frame Color RAL	white		
	IP/IK/Glow-wire	IP20/IK03/650°C		
	Temp./Humidity	Working:-30°C~40°C Storage:<60°C/<75%		
	Net/Gross Weight	4.05kg /4.45kg		

Products Dimens

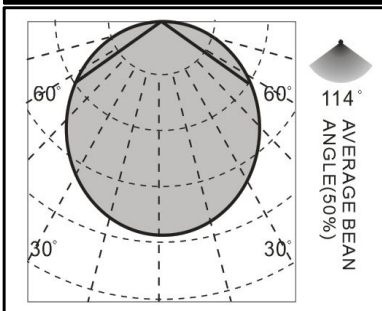
Certification:



Panel: L=296mm W=1196mm H=11mm



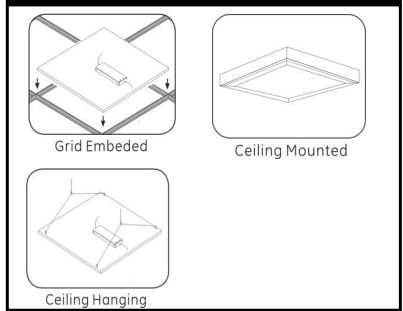
AVERAGE AND CENTER E Figure



AVERAGE AND CENTER E Figure

1.0 m	1331.31 lx	2.88 m
1.5 m	591.70 lx	4.35 m
2.0 m	332.83 lx	5.80 m
2.5 m	213.01 lx	7.28 m
3.0 m	147.93 lx	8.75 m
High illuminance		Diameter

Installation



PL Series LED Panel

CCT-100-30120-40W
30120 LED Panel Light

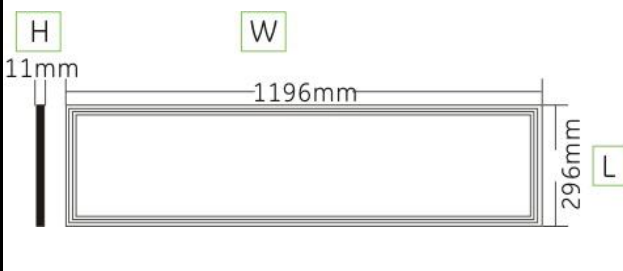


Products Description

General	CCT	6000K	4000K	3000K
	Lumen Output(lm)±5%	3400	4089	3200
	Lumen Efficacy(LPS)±5%	85	100	80
	LED Type/Qt'y	SMD 2835 / 216pcs(WW-108PCS;CW-108PCS)		
	CRI/SDCM	>80/<6		
Electrical	Rated Power(w)±5%	40		
	Rated/Actual Input	100~277Vac 50/60Hz		
	Driver Output Data	25-38Vdc / 36W		
	Driver/Connection	Removable Driver / PIP		
	Power Factor/THD/PE	>90%/<15%/88%		
	Hi-pot Test Range	SELV Isolated Driver, 3750Vdc/5mA/60S		
Life	Warranty	3 years		
	Life Hours L90/L80	30,000 hrs/50,000hrs		
	LM80	90% lumen maintance @ 6,000hrs		
Others	Frame Color RAL	white		
	IP/IK/Glow-wire	IP20/IK03/650°C		
	Temp./Humidity	Working:-30°C~40°C Storage:<60°C/<75%		
	Net/Gross Weight	4.05kg /4.45kg		

Products Dimens

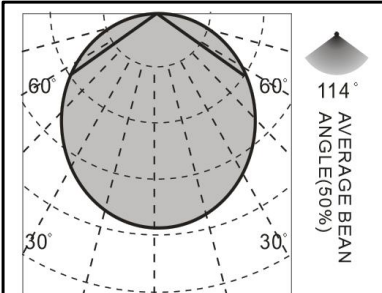
Certification:



Panel: L=1214mm W=300mm H=60mm



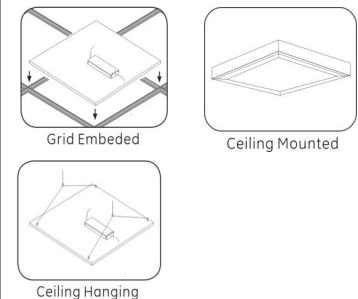
AVERAGE AND CENTER E Figure



AVERAGE AND CENTER E Figure

1.0 m	1385.17 lx	2.88 m
1.5 m	615.63 lx	4.35 m
2.0 m	346.29 lx	5.80 m
2.5 m	221.63 lx	7.28 m
3.0 m	153.91 lx	8.75 m
High illuminance		Diameter

Installation



PL Series LED Panel

CCT-90-30120-40W
30120 LED Panel Light

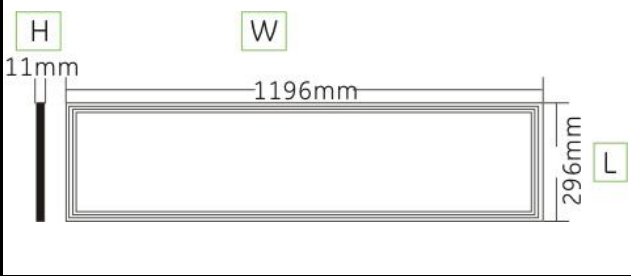


Products Description

General	CCT	6000K	4000K	3000K
	Lumen Output(lm)±5%	3240	3800	3040
	Lumen Efficacy(LPS)±5%	81	95	76
	LED Type/Qt'y	SMD 2835 / 216pcs(WW-108PCS;CW-108PCS)		
	CRI/SDCM	>80/<6		
Electrical	Rated Power(w)±5%	40		
	Rated/Actual Input	100~277Vac 50/60Hz		
	Driver Output Data	25-38Vdc / 36W		
	Driver/Connection	Removable Driver / PIP		
	Power Factor/THD/PE	>90%/<15%/88%		
	Hi-pot Test Range	SELV Isolated Driver, 3750Vdc/5mA/60S		
Life	Warranty	3 years		
	Life Hours L90/L80	30,000 hrs/50,000hrs		
	LM80	90% lumen maintance @ 6,000hrs		
Others	Frame Color RAL	white		
	IP/IK/Glow-wire	IP20/IK03/650°C		
	Temp./Humidity	Working:-30°C~40°C Storage:<60°C/<75%		
	Net/Gross Weight	4.05kg /4.45kg		

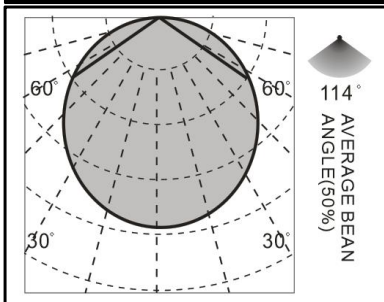
Products Dimens

Certification:



Panel: L=1214mm W=300mm H=60mm

AVERAGE AND CENTER E Figure



AVERAGE AND CENTER E Figure

1.0 m	1287.27 lx	2.88 m
1.5 m	572.12 lx	4.35 m
2.0 m	321.82 lx	5.80 m
2.5 m	205.97 lx	7.28 m
3.0 m	143.03 lx	8.75 m
High illuminance		Diameter

Installation

