

PL Series LED Panel

CCT-130-6262-36W
6262 LED Panel Light

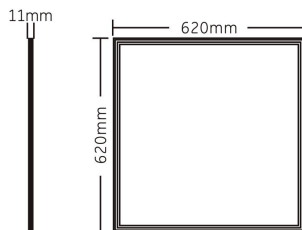


Products Description

General	CCT	6000K	4000K	3000K
	Lumen Output(lm)±5%	3924	4608	3672
	Lumen Efficacy(LPS)±5%	109	128	102
	LED Type/Qt'y	SMD2835/224pcs(WW-112PCS;CW-112PCS)		
	CRI/SDCM	>80/<6		
Electrical	Rated Power(w)±5%	36W		
	Rated/Actual Input	230Vac/200~240Vac 50Hz		
	Driver Output Data	25-38Vdc / 32.4W		
	Driver/Connection	Removable Driver / PIP		
	Power Factor/THD/PE	>90%/<15%/88%		
	Hi-pot Test Range	SELV Isolated Driver, 3750Vdc/5mA/60S		
Life	Warranty	3 years		
	Life Hours L90/L80	30,000hrs/50,000hrs		
	LM80	90% lumen maintance @ 6,000hrs		
Others	Frame Color RAL	white		
	IP/IK/Glow-wire	IP20/IK03/650°C		
	Temp./Humidity	Working:-30°C~40°C Storage:<60°C/<75%		
	Net/Gross Weight	3.45kg /3.8kg		

Products Dimens

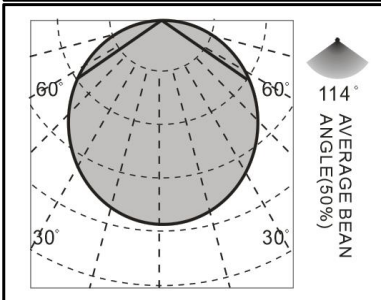
Certification:



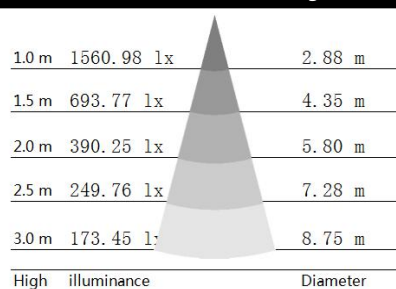
Panel: L=620mm W=620mm H=11mm



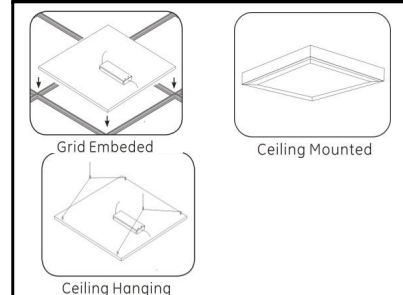
AVERAGE AND CENTER E Figure



AVERAGE AND CENTER E Figure



Installation



PL Series LED Panel

CCT-120-6262-36W
6262 LED Panel Light

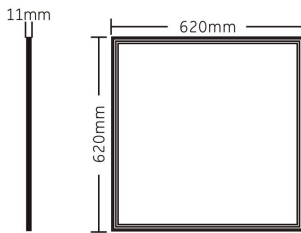


Products Description

General	CCT	6000K	4000K	3000K
	Lumen Output(lm)±5%	3492	4140	3312
	Lumen Efficacy(LPS)±5%	98	115	92
	LED Type/Qt'y	SMD2835/216pcs(WW-112PCS;CW-112PCS)		
	CRI/SDCM	>80/<6		
Electrical	Rated Power(w)±5%	36W		
	Rated/Actual Input	230Vac/200~240Vac 50Hz		
	Driver Output Data	25-38Vdc / 32.4W		
	Driver/Connection	Removable Driver / PIP		
	Power Factor/THD/PE	>90%/<15%/88%		
	Hi-pot Test Range	SELV Isolated Driver, 3750Vdc/5mA/60S		
Life	Warranty	3 years		
	Life Hours L90/L80	30,000hrs/50,000hrs		
	LM80	90% lumen maintance @ 6,000hrs		
Others	Frame Color RAL	white		
	IP/IK/Glow-wire	IP20/IK03/650°C		
	Temp./Humidity	Working:-30°C~40°C Storage:<60°C/<75%		
	Net/Gross Weight	3.45kg /3.8kg		

Products Dimens

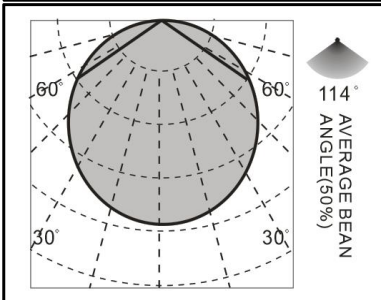
Certification:



Panel: L=620mm W=620mm H=11mm



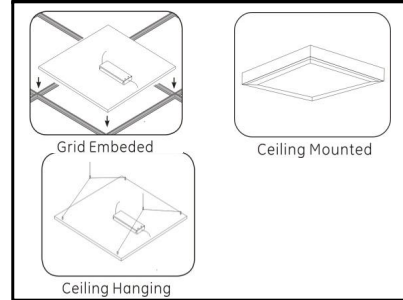
AVERAGE AND CENTER E Figure



AVERAGE AND CENTER E Figure

1.0 m	1402.45 lx	2.88 m
1.5 m	623.31 lx	4.35 m
2.0 m	350.61 lx	5.80 m
2.5 m	224.40 lx	7.28 m
3.0 m	155.83 lx	8.75 m
High illuminance		Diameter

Installation



PL Series LED Panel

CCT-110-6262-40W
6262 LED Panel Light

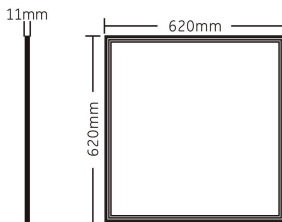


Products Description

General	CCT	6000K	4000K	3000K
	Lumen Output(lm)±5%	3680	4320	3440
	Lumen Efficacy(LPS)±5%	92	108	86
	LED Type/Qt'y	SMD2835/224pcs(WW-112PCS;CW-112PCS)		
	CRI/SDCM	>80/<6		
Electrical	Rated Power(w)±5%	40W		
	Rated/Actual Input	230Vac/200~240Vac 50Hz		
	Driver Output Data	25-38Vdc / 32.4W		
	Driver/Connection	Removable Driver / PIP		
	Power Factor/THD/PE	>90%/<15%/88%		
	Hi-pot Test Range	SELV Isolated Driver, 3750Vdc/5mA/60S		
Life	Warranty	3 years		
	Life Hours L90/L80	30,000hrs/50,000hrs		
	LM80	90% lumen maintance @ 6,000hrs		
Others	Frame Color RAL	white		
	IP/IK/Glow-wire	IP20/IK03/650°C		
	Temp./Humidity	Working:-30°C~40°C Storage:<60°C/<75%		
	Net/Gross Weight	3.45kg /3.8kg		

Products Dimens

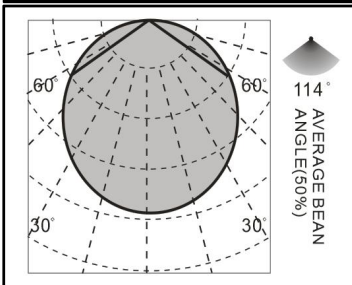
Certification:



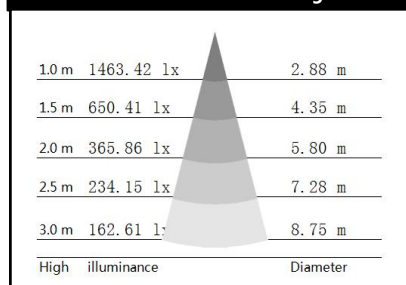
Panel: L=620mm W=620mm H=11mm



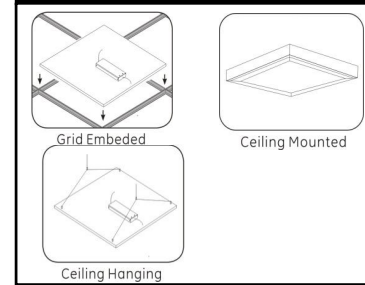
AVERAGE AND CENTER E Figure



AVERAGE AND CENTER E Figure



Installation



PL Series LED Panel

CCT-100-6262-40W
6262 LED Panel Light

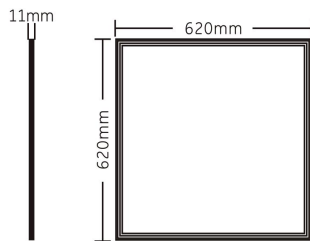


Products Description

General	CCT	6000K	4000K	3000K
	Lumen Output(lm)±5%	3320	3920	3120
	Lumen Efficacy(LPS)±5%	83	98	78
	LED Type/Qt'y	SMD2835/108pcs(WW-54PCS;CW-54PCS)		
	CRI/SDCM	>80/<6		
Electrical	Rated Power(w)±5%	40W		
	Rated/Actual Input	230Vac/200~240Vac 50Hz		
	Driver Output Data	25-38Vdc / 32.4W		
	Driver/Connection	Removable Driver / PIP		
	Power Factor/THD/PE	>90%/<15%/88%		
	Hi-pot Test Range	SELV Isolated Driver, 3750Vdc/5mA/60S		
Life	Warranty	3 years		
	Life Hours L90/L80	30,000hrs/50,000hrs		
	LM80	90% lumen maintance @ 6,000hrs		
Others	Frame Color RAL	white		
	IP/IK/Glow-wire	IP20/IK03/650°C		
	Temp./Humidity	Working:-30°C~40°C Storage:<60°C/<75%		
	Net/Gross Weight	3.45kg /3.8kg		

Products Dimens

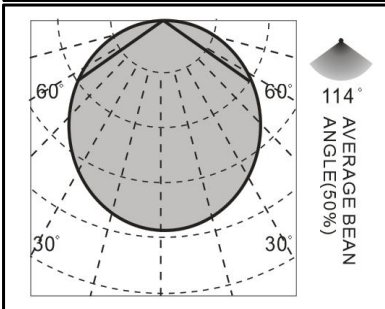
Certification:



Panel: L=620mm W=620mm H=11mm



AVERAGE AND CENTER E Figure



AVERAGE AND CENTER E Figure

1.0 m	1327.92 lx	2.88 m
1.5 m	590.19 lx	4.35 m
2.0 m	331.98 lx	5.80 m
2.5 m	212.47 lx	7.28 m
3.0 m	147.55 lx	8.75 m
High illuminance		Diameter

Installation

